



Thermo-Pro 2000 & Hydro-Pro 150 Nozzles

Thermo-Pro 2000



Easy to read control indicator for more accurate readings from 140 to 200 F. Ensures a more accurate water temperature reading. Control Indicator alerts the operator of water temperature fluctuation, preventing scalding. Adjustable water stream from spray to solid stream. Comfortable lever arm with rubber mold guard. Replaceable cover in red, white and black. Made in USA by Strahman. Two year guarantee.

Thermo Pro B, Black

Stock No.	Connection	Wt/Unit	Sold By	
Nonswi	vel, 3/4" barb x 1/2" NPT	3.3#	EA	CH
Swi	vel, 3/4" barb x 1/2" NPT	3.5#	EA	CH
Swi	vel, 5/8" barb x 1/2" NPT	3.5#	EA	CH
Non swi	vel, 3/4" barb x 1/2" NPT	3.3#	EA	CH
Swi	vel, 3/4" female GHT x 1/2" NPT	3.5#	EA	CH

Thermo Pro W, White

Nonswi	vel, 3/4" barb x 1/2" NPT	3.3#	EA	CH
Swi	vel, 3/4" barb x 1/2" NPT	3.5#	EA	CH
Nonswi	vel, 3/4" female GHT x 1/2" NPT	3.3#	EA	CH

Thermo Pro R, Red

Nonswi	vel, 3/4" barb x 1/2" NPT	3.3#	EA	CH
Swi	vel, 3/4" barb x 1/2" NPT	3.5#	EA	CH
Swi	vel, 5/8" barb x 1/2" NPT	3.5#	EA	CH

Hydro-Pro 150



Many of our customers have said Strahman spray nozzles are the best on the market. That's because at Strahman we combine modern and innovative engineering with premium quality parts to build hose nozzles strong enough to withstand even the most rugged applications.

All of Strahman's spray nozzles are available in black, white or red, and operate most effectively under these conditions:

Maximum recommended operating temperature: 200°F / 93.33°C
 Maximum working pressure: 150 PSI

HP-150, Black

Stock No.	Connection	Wt/Unit	Sold By	
Nonswi	vel, 3/4" barb x 1/2" NPT	3.3#	EA	CH
Swi	vel, 3/4" barb x 1/2" NPT	3.5#	EA	CH
Swi	vel, 5/8" barb x 1/2" NPT	3.5#	EA	CH
Nonswi	vel, 3/4" barb x 1/2" NPT	3.3#	EA	CH
Swi	vel, 3/4" female GHT x 1/2" NPT	3.5#	EA	CH

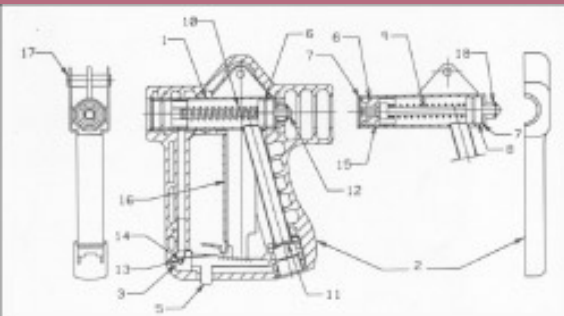
HP-150, White

Nonswi	vel, 3/4" barb x 1/2" NPT	3.3#	EA	CH
Swi	vel, 3/4" barb x 1/2" NPT	3.5#	EA	CH
Nonswi	vel, 3/4" female GHT x 1/2" NPT	3.3#	EA	CH

HP-150, Red

Nonswi	vel, 3/4" barb x 1/2" NPT	3.3#	EA	CH
Swi	vel, 3/4" barb x 1/2" NPT	3.5#	EA	CH
Swi	vel, 5/8" barb x 1/2" NPT	3.5#	EA	CH

Hydro-Pro 150 Parts



Stock No. P	arts Description
1	Hydro-Pro Body
2	Rene wable Cover (Set)
3	Hinge
4	Co ver Screw (Not Shown)
5	Ratchet
6	O-ring
7	Snap Ring
8	Housing
9	Stem
10	Stem Spring
11	Inlet Screen
12	Stem Scre w and Washer
13	Ratchet Spring
14	Spring Pin
15	Seat
16	Le ver Arm
17	Le ver Arm Pivot
18	U-Brack et