


DIN Union Parts

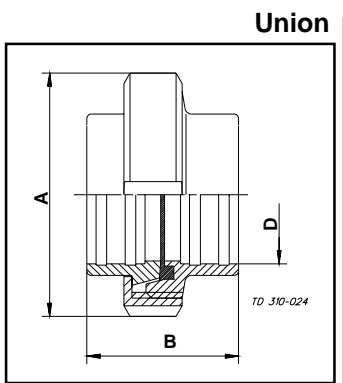
Alfa Laval

Parts for DIN Tubes

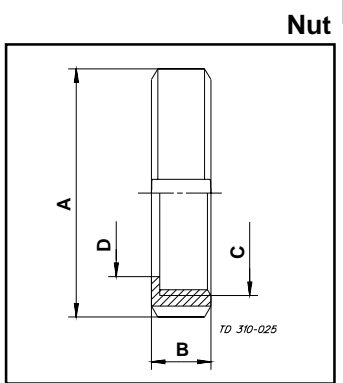
Finish: Semi bright
 Connections: Expanding ends
 Seals: Nitrile
 Thread: Round type 

Semi bright

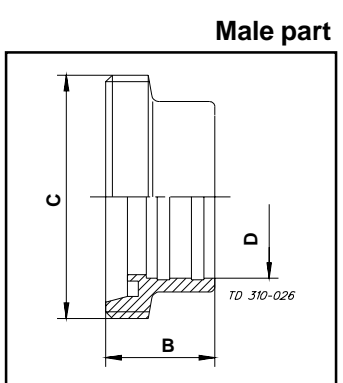
AISI 304 Code No.	Price EURO	AISI 316L Code No.	Price EURO	Nominal size DIN	A	B	D
9611-30-0400	22.68	9611-30-654-2	28.72	25	63	45	28.2
9611-30-569-0	24.97	9611-30-569-2	47.23	32	70	51	34.2
9611-30-0401	26.85	9611-30-655-2	50.00	40	78	53	40.2
9611-30-0402	31.54	9611-30-656-2	38.93	50	92	57	52.2
9611-30-0403	47.65	9611-30-657-2	92.00	65	112	65	70.3
9611-30-0404	75.00	9611-30-658-2	119.00	80	127	75	85.3
9611-30-0512	107.00	9611-30-659-2	211.00	100	148	89	104.3



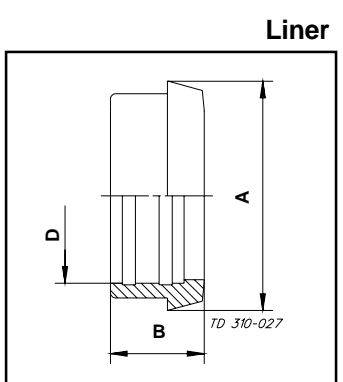
					A	B	C	D
31318-0014-1	8.59			25	63	21	52x1/6	36
31318-0014-2	9.13			32	70	21	58x1/6	42
31318-0014-3	9.66			40	78	21	65x1/6	49
31318-0014-4	11.41			50	92	22	78x1/6	62
31318-0014-5	17.72			65	112	25	95x1/6	80
31318-0014-6	27.79			80	127	29	110x1/4	94
31318-0014-8	37.05			100	148	31	130x1/4	115



					B	C	D
31318-0039-1	8.19	9611-30-660-2	17.72	25	29	52x1/6	28.2
31318-0039-2	9.40	9611-30-661-2	23.20	32	32	58x1/6	34.2
31318-0039-3	9.93	9611-30-662-2	21.74	40	33	65x1/6	40.2
31318-0039-4	11.41	9611-30-663-2	15.17	50	35	78x1/6	52.2
31318-0039-5	17.18	9611-30-664-2	42.97	65	40	95x1/6	70.3
31318-0039-6	26.71	9611-30-665-2	63.00	80	45	110x1/4	85.3
31318-0039-8	39.33	9611-30-666-2	102.00	100	54	130x1/4	104.3



					A	B	D
31318-0015-1	5.50	9611-30-667-2	7.92	25	44	22	28.2
31318-0015-2	6.04	9611-30-668-2	14.50	32	50	25	34.2
31318-0015-3	6.85	9611-30-669-2	18.37	40	56	26	40.2
31318-0015-4	8.19	9611-30-670-2	17.72	50	68	28	52.2
31318-0015-5	12.21	9611-30-671-2	30.88	65	86	32	70.3
31318-0015-6	18.93	9611-30-672-2	27.17	80	100	37	85.3
31318-0015-8	29.66	9611-30-673-2	71.00	100	121	44	104.3



NOTE! Seal rings - please see page 27.

DIN Unions

DIN Union Parts

Alfa Laval

Parts for DIN Tubes

Finish: Mat

Connections: Expanding ends

Seals: Nitrile

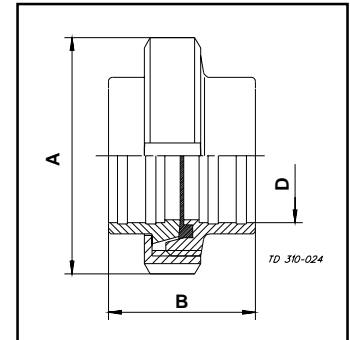
Thread: Round type 

Mat

DIN Unions

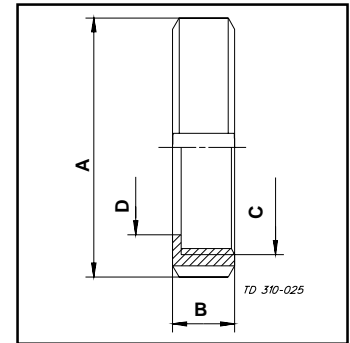
AISI 304 Code No.	Price EURO	AISI 316L Code No.	Price EURO	Nominal size DIN	A	B	D		
9611-30-654-1	33.37	9611-30-654-3	28.72	25	63	45	28.2		
9611-30-569-1	24.97	9611-30-569-3	32.08	32	70	51	34.2		
9611-30-655-1	36.85	9611-30-655-3	35.17	40	78	53	40.2		
9611-30-656-1	45.19	9611-30-656-3	38.93	50	92	57	52.2		
9611-30-657-1	67.00	9611-30-657-3	62.00	65	112	65	70.3		
9611-30-658-1	75.00	9611-30-658-3	88.00	80	127	75	85.3		
9611-30-659-1	107.00	9611-30-659-3	129.00	100	148	89	104.3		

Union



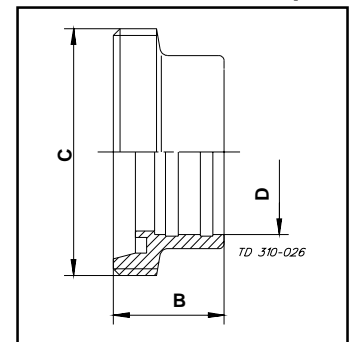
					A	B	C	D	
9611-30-709-1	8.59			25	63	21	52x1/6	36	
9611-30-710-1	9.13			32	70	21	58x1/6	42	
9611-30-711-1	9.66			40	78	21	65x1/6	49	
9611-30-712-1	11.41			50	92	22	78x1/6	62	
9611-30-713-1	17.72			65	112	25	95x1/6	80	
9611-30-714-1	27.79			80	127	29	110x1/4	94	
9611-30-715-1	37.05			100	148	31	130x1/4	115	

Nut



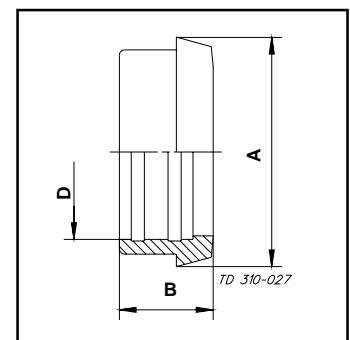
					B	C	D		
9611-30-660-1	16.06	9611-30-660-3	11.81	25	29	52x1/6	28.2		
9611-30-661-1	14.09	9611-30-661-3	12.88	32	32	58x1/6	34.2		
9611-30-662-1	14.90	9611-30-662-3	14.50	40	33	65x1/6	40.2		
9611-30-663-1	17.18	9611-30-663-3	22.82	50	35	78x1/6	52.2		
9611-30-664-1	29.64	9611-30-664-3	26.04	65	40	95x1/6	70.3		
9611-30-665-1	40.13	9611-30-665-3	34.50	80	45	110x1/4	85.3		
9611-30-666-1	59.00	9611-30-666-3	78.00	100	54	130x1/4	104.3		

Male part



					A	B	D		
9611-30-667-1	8.32	9611-30-667-3	7.92	25	44	22	28.2		
9611-30-668-1	9.13	9611-30-668-3	9.66	32	50	25	34.2		
9611-30-669-1	11.89	9611-30-669-3	15.97	40	56	26	40.2		
9611-30-670-1	16.06	9611-30-670-3	17.72	50	68	28	52.2		
9611-30-671-1	18.39	9611-30-671-3	26.85	65	86	32	70.3		
9611-30-672-1	28.46	9611-30-672-3	24.70	80	100	37	85.3		
9611-30-673-1	44.56	9611-30-673-3	39.06	100	121	44	104.3		

Liner



NOTE! Seal rings - please see page 27.

DIN Union Parts

Alfa Laval

Parts for DIN Tubes

Finish: Semi bright

Connections: Welding ends

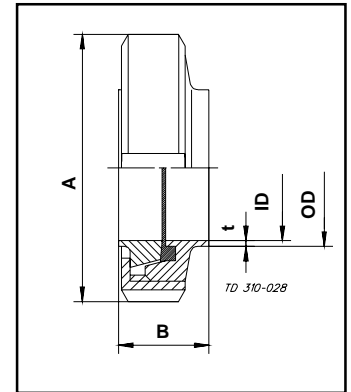
Seals: Nitrile

Thread: Round type 

Semi bright

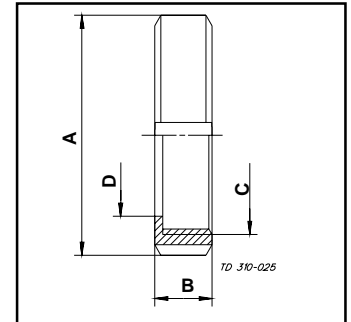
AISI 304 Code No.	Price EURO	AISI 316L Code No.	Price EURO	Nominal size DIN	Dimensions (mm)			
					OD/ID x t	A	B	
9611-30-579-0	18.43	9611-30-579-1	30.76	10	13/10 x 1.5	38	25	
9611-30-580-0	21.98	9611-30-580-1	24.83	15	19/16 x 1.5	44	25	
9611-29-001-1	27.23	9611-29-001-2	44.26	20	23/20 x 1.5	54	25	
9611-30-1119	21.48	9611-33-1119	25.64	25	29/26 x 1.5	63	31	
9611-30-1120	23.22	9611-33-1120	29.09	32	35/32 x 1.5	70	31	
9611-30-1121	25.23	9611-33-1121	29.93	40	41/38 x 1.5	78	31	
9611-30-1122	29.66	9611-33-1122	35.03	50	53/50 x 1.5	92	33	
9611-30-1123	41.61	9611-33-1123	48.72	65	70/66 x 2.0	112	35	
9611-30-1124	69.00	9611-33-1124	80.00	80	85/81 x 2.0	127	35	
9611-30-1126	99.00	9611-33-1126	118.00	100	104/100 x 2.0	148	41	
9611-30-582-0	*	9611-30-582-1	*	125	129/125 x 2.0	178	48	
9611-30-583-0	*	9611-30-583-1	*	150	154/150 x 2.0	210	55	

Union



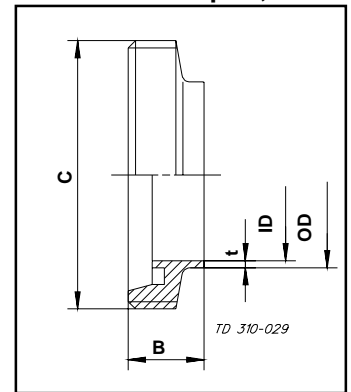
					A	B	C	D
9611-30-642-0	7.25			10	38	18	28x1/8	14
9611-30-643-0	9.40			15	44	18	34x1/8	25
9611-29-002-1	8.86			20	54	20	44x1/6	31
31318-0014-1	8.59			25	63	21	52x1/6	36
31318-0014-2	9.13			32	70	21	58x1/6	42
31318-0014-3	9.66			40	78	21	65x1/6	49
31318-0014-4	11.41			50	92	22	78x1/6	62
31318-0014-5	17.72			65	112	25	95x1/6	80
31318-0014-6	27.79			80	127	29	110x1/4	94
31318-0014-8	37.05			100	148	31	130x1/4	115

Nut



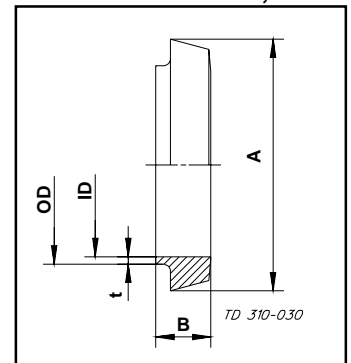
					OD/ID x t	B	C
9611-30-590-0	7.54	9611-30-590-1	15.78	10	13/10 x 1.5	17	28x1/8
9611-30-591-0	8.42	9611-30-591-1	9.93	15	19/16 x 1.5	17	34x1/8
9611-29-003-1	11.75	9611-29-003-2	22.07	20	23/20 x 1.5	19	44x1/6
9611-30-1087	7.38	9611-33-1087	9.93	25	29/26 x 1.5	22	52x1/6
9611-30-1088	7.92	9611-33-1088	10.60	32	35/32 x 1.5	22	58x1/6
9611-30-1089	8.86	9611-33-1089	11.41	40	41/38 x 1.5	22	65x1/6
9611-30-1090	10.20	9611-33-1090	13.29	50	53/50 x 1.5	23	78x1/6
9611-30-1091	13.83	9611-33-1091	17.99	65	70/66 x 2.0	25	95x1/6
9611-30-1092	23.49	9611-33-1092	30.20	80	85/81 x 2.0	25	110x1/4
9611-30-1094	33.42	9611-33-1094	44.03	100	104/100 x 2.0	30	130x1/4
9611-30-593-0	*	9611-30-593-1	*	125	129/125 x 2.0	35.5	160x1/4
9611-30-594-0	*	9611-30-594-1	*	150	154/150 x 2.0	40	190x1/4

Male part, short



					OD/ID x t	A	B
9611-30-595-0	3.24	9611-30-595-1	7.33	10	13/10 x 1.5	22	13
9611-30-596-0	3.76	9611-30-596-1	5.10	15	19/16 x 1.5	28	13
9611-29-004-1	6.38	9611-29-004-2	13.09	20	23/20 x 1.5	36	13
9611-30-1095	5.10	9611-33-1095	6.71	25	29/26 x 1.5	44	15
9611-30-1096	5.77	9611-33-1096	8.96	32	35/32 x 1.5	50	15
9611-30-1097	6.31	9611-33-1097	8.46	40	41/38 x 1.5	56	15
9611-30-1098	7.52	9611-33-1098	9.80	50	53/50 x 1.5	68	16
9611-30-1099	9.53	9611-33-1099	12.48	65	70/66 x 2.0	86	17
9611-30-1100	16.38	9611-33-1100	21.34	80	85/81 x 2.0	100	17
9611-30-1102	27.65	9611-33-1102	36.24	100	104/100 x 2.0	121	20
9611-30-597-0	*	9611-30-597-1	*	125	129/125 x 2.0	150	23.5
9611-30-598-0	*	9611-30-598-1	*	150	150/159 x 2.0	176	27

Liner, short



* On request.

NOTE! Seal rings - please see page 27.

Parts for DIN Tubes

Finish: Mat

Connections: Welding ends

Seals: Nitrile

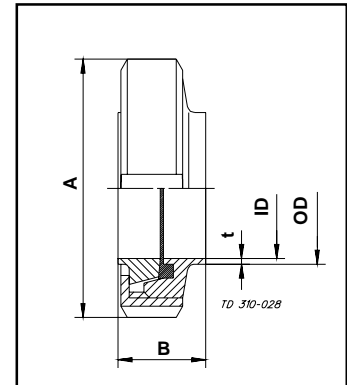
Thread: Round type 

Mat

DIN Unions

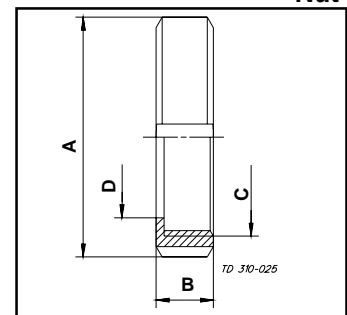
AISI 304 Code No.	Price EURO	AISI 316L Code No.	Price EURO	Nominal size DIN	Dimensions (mm)		
					OD/ID x t	A	B
9611-30-579-2	28.49	9611-30-579-3	20.13	10	13/10 x 1.5	38	25
9611-30-580-2	32.13	9611-30-580-3	24.83	15	19/16 x 1.5	44	25
9611-29-001-3	23.76	9611-29-001-4	28.19	20	23/20 x 1.5	54	25
9611-30-674-2	21.48	9611-30-674-3	38.43	25	29/26 x 1.5	63	31
9611-30-675-2	32.82	9611-30-675-3	45.47	32	35/32 x 1.5	70	31
9611-30-676-2	26.30	9611-30-676-3	29.93	40	41/38 x 1.5	78	31
9611-30-677-2	29.66	9611-30-677-3	53.00	50	53/50 x 1.5	92	33
9611-30-678-2	41.61	9611-30-678-3	78.00	65	70/66 x 2.0	112	35
9611-30-679-2	99.00	9611-30-679-3	130.00	80	85/81 x 2.0	127	35
9611-30-680-2	145.00	9611-30-680-3	178.00	100	104/100 x 2.0	148	41
9611-30-582-2	*	9611-30-582-2	*	125	129/125 x 2.0	178	48
9611-30-583-2	*	9611-30-583-3	*	150	154/150 x 2.0	210	55

Union



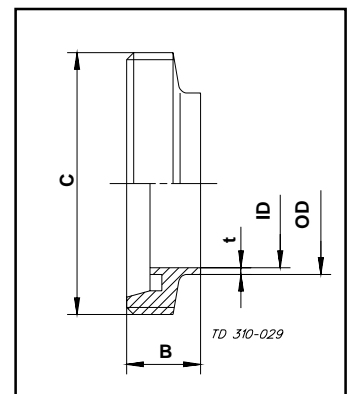
					A	B	C	D
9611-30-642-1	7.25			10	38	18	28x1/8	14
9611-30-643-1	9.40			15	44	18	34x1/8	25
9611-29-002-2	8.86			20	54	20	44x1/6	31
9611-30-709-1	8.59			25	63	21	52x1/6	36
9611-30-710-1	9.13			32	70	21	58x1/6	42
9611-30-711-1	9.66			40	78	21	65x1/6	49
9611-30-712-1	11.41			50	92	22	78x1/6	62
9611-30-713-1	17.72			65	112	25	95x1/6	80
9611-30-714-1	27.79			80	127	29	110x1/4	94
9611-30-715-1	37.05			100	148	31	130x1/4	115

Nut



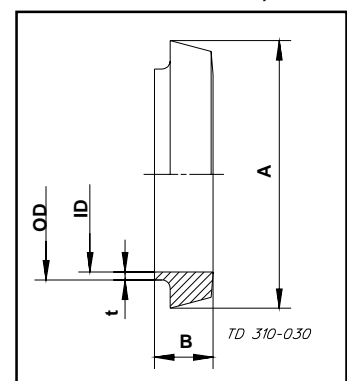
					OD/ID x t	B	C
9611-30-590-2	13.44	9611-30-590-3	13.15	10	13/10 x 1.5	17	28x1/8
9611-30-591-2	15.00	9611-30-591-3	14.90	15	19/16 x 1.5	17	34x1/8
9611-29-003-3	14.09	9611-29-003-4	18.39	20	23/20 x 1.5	19	44x1/6
9611-30-681-2	7.38	9611-30-681-3	19.37	25	29/26 x 1.5	22	52x1/6
9611-30-682-2	11.95	9611-30-682-3	20.76	32	35/32 x 1.5	22	58x1/6
9611-30-683-2	9.30	9611-30-683-3	17.18	40	41/38 x 1.5	22	65x1/6
9611-30-684-2	10.20	9611-30-684-3	26.00	50	53/50 x 1.5	23	78x1/6
9611-30-685-2	20.81	9611-30-685-3	35.07	65	70/66 x 2.0	25	95x1/6
9611-30-686-2	42.36	9611-30-686-3	59.00	80	85/81 x 2.0	25	110x1/4
9611-30-687-2	61.00	9611-30-687-3	86.00	100	104/100 x 2.0	30	130x1/4
9611-30-593-2	*	9611-30-593-3	*	125	129/125 x 2.0	35.5	160x1/4
9611-30-594-2	*	9611-30-594-3	*	150	154/150 x 2.0	40	190x1/4

Male part, short



					OD/ID x t	A	B
9611-30-595-2	5.59	9611-30-595-3	5.64	10	13/10 x 1.5	22	13
9611-30-596-2	7.33	9611-30-596-3	7.65	15	19/16 x 1.5	28	13
9611-29-004-3	7.65	9611-29-004-4	10.07	20	23/20 x 1.5	36	13
9611-30-688-2	7.65	9611-30-688-3	10.07	25	29/26 x 1.5	44	15
9611-30-689-2	11.34	9611-30-689-3	15.18	32	35/32 x 1.5	50	15
9611-30-690-2	6.94	9611-30-690-3	12.75	40	41/38 x 1.5	56	15
9611-30-691-2	7.52	9611-30-691-3	14.77	50	53/50 x 1.5	68	16
9611-30-692-2	14.36	9611-30-692-3	24.43	65	70/66 x 2.0	86	17
9611-30-693-2	28.24	9611-30-693-3	41.70	80	85/81 x 2.0	100	17
9611-30-694-2	45.63	9611-30-694-3	54.00	100	104/100 x 2.0	121	20
9611-30-597-2	*	9611-30-597-3	*	125	129/125 x 2.0	150	23.5
9611-30-598-2	*	9611-30-598-3	*	150	154/150 x 2.0	176	27

Liner, short



DIN Union Parts

Alfa Laval

Parts for DIN Tubes

Finish: Semi bright

Connections: Welding ends

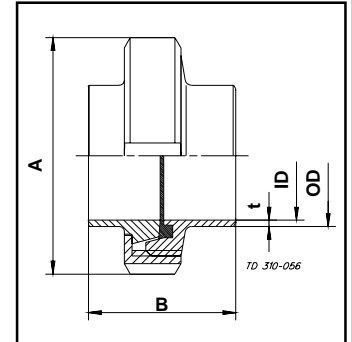
Seals: Nitrile

Thread: Round type 

Semi bright

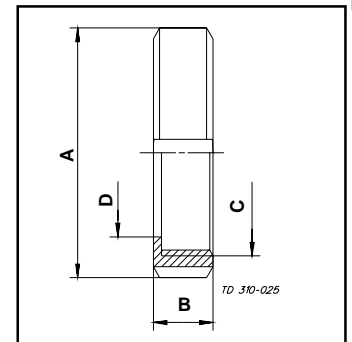
AISI 304 Code No.	Price EURO	AISI 316L Code No.	Price EURO	Nominal size DIN	OD/ID x t	A	B
9612-1513-01	21.35	9612-1514-01	28.16	10	13/10 x 1.5	38	34
9612-1513-02	21.99	9612-1514-02	25.88	15	19/16 x 1.5	44	34
9612-1513-03	23.63	9612-1514-03	28.09	20	23/20 x 1.5	54	36
9612-1513-04	22.95	9612-1514-04	25.76	25	29/26 x 1.5	63	45
9612-1513-05	25.28	9612-1514-05	28.70	32	35/32 x 1.5	70	51
9612-1513-06	27.18	9612-1514-06	31.40	40	41/38 x 1.5	78	53
9612-1513-07	31.94	9612-1514-07	38.08	50	53/50 x 1.5	92	57
9612-1513-08	48.23	9612-1514-08	55.00	65	70/66 x 2.0	112	65
9612-1513-09	74.00	9612-1514-09	85.00	80	85/81 x 2.0	127	75
9612-1513-10	108.00	9612-1514-10	114.00	100	104/100 x 2.0	148	89
9612-1513-11	239.00	9612-1514-11	291.00	125	129/125 x 2.0	178	70
9612-1513-12	451.00	9612-1514-12	523.00	150	154/150 x 2.0	210	76

Union, long



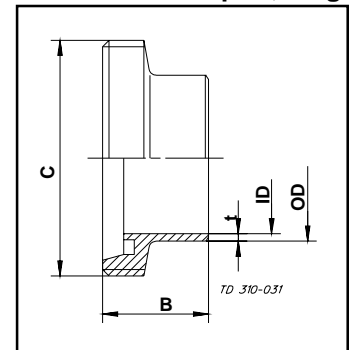
					A	B	C	D
9611-30-642-0	7.25			10	38	18	28x1/8	19
9611-30-643-0	9.40			15	44	18	34x1/8	25
9611-29-002-1	8.86			20	54	20	44x1/6	31
31318-0014-1	8.59			25	63	21	52x1/6	36
31318-0014-2	9.13			32	70	21	58x1/6	42
31318-0014-3	9.66			40	78	21	65x1/6	49
31318-0014-4	11.41			50	92	22	78x1/6	62
31318-0014-5	17.72			65	112	25	95x1/6	80
31318-0014-6	27.79			80	127	29	110x1/4	94
31318-0014-8	37.05			100	148	31	130x1/4	115
9611-30-645-0	70.00			125	178	34	160x1/4	138
9611-30-646-0	136.00			150	210	40	190x1/4	164

Nut



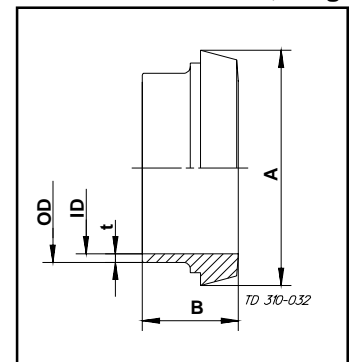
					OD/ID x t	B	C
9611-30-610-0	10.55	9611-30-610-1	12.75	10	13/10 x 1.5	21	28x1/8
9611-30-611-0	7.80	9611-30-611-1	9.81	15	19/16 x 1.5	21	34x1/8
9611-29-008-1	9.17	9611-29-008-2	11.87	20	23/20 x 1.5	24	44x1/6
9611-30-1103	8.35	9611-33-1103	10.04	25	29/26 x 1.5	29	52x1/6
9611-30-1104	9.59	9611-33-1104	10.96	32	35/32 x 1.5	32	58x1/6
9611-30-1105	10.13	9611-33-1105	12.33	40	41/38 x 1.5	33	65x1/6
9611-30-1106	11.64	9611-33-1106	15.40	50	53/50 x 1.5	35	78x1/6
9611-30-1107	17.52	9611-33-1107	21.22	65	70/66 x 2.0	40	95x1/6
9611-30-1108	27.24	9611-33-1108	32.86	80	85/81 x 2.0	45	110x1/4
9611-30-1110	40.12	9611-33-1110	40.62	100	104/100 x 2.0	54	130x1/4
9611-30-613-0	73.00	9611-30-613-1	110.00	125	129/125 x 2.0	46	160x1/4
9611-30-614-0	125.00	9611-30-614-1	162.00	150	154/150 x 2.0	50	190x1/4

Male part, long



					OD/ID x t	A	B
9611-30-615-0	3.15	9611-30-615-1	7.76	10	13/10 x 1.5	22	17
9611-30-616-0	4.39	9611-30-616-1	6.27	15	19/16 x 1.5	28	17
9611-29-009-1	5.20	9611-29-009-2	6.96	20	23/20 x 1.5	36	18
9611-30-1111	5.61	9611-33-1111	6.73	25	29/26 x 1.5	44	22
9611-30-1112	6.16	9611-33-1112	8.21	32	35/32 x 1.5	50	25
9611-30-1113	6.99	9611-33-1113	9.01	40	41/38 x 1.5	56	26
9611-30-1114	8.35	9611-33-1114	10.73	50	53/50 x 1.5	68	28
9611-30-1115	12.45	9611-33-1115	15.74	65	70/66 x 2.0	86	32
9611-30-1116	19.31	9611-33-1116	23.16	80	85/81 x 2.0	100	37
9611-30-1118	30.25	9611-33-1118	35.71	100	104/100 x 2.0	121	44
9611-30-618-0	59.00	9611-30-618-1	74.00	125	129/125 x 2.0	150	34
9611-30-619-0	121.00	9611-30-619-1	156.00	150	154/150 x 2.0	176	37

Liner, long



NOTE! Seal rings - please see page 27.

Parts for DIN Tubes

Finish: Mat

Connections: Welding ends

Seals: Nitrile

Thread: Round type 

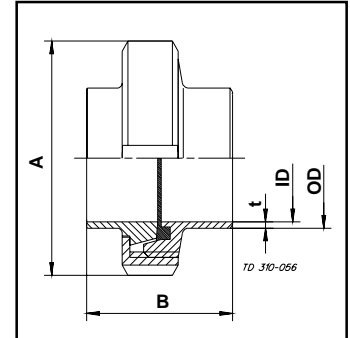
Mat

DIN Unions

AISI 304 Code No.	Price EURO	AISI 316L Code No.	Price EURO	Nominal size DIN	Dimensions (mm)
-------------------	------------	--------------------	------------	------------------	-----------------

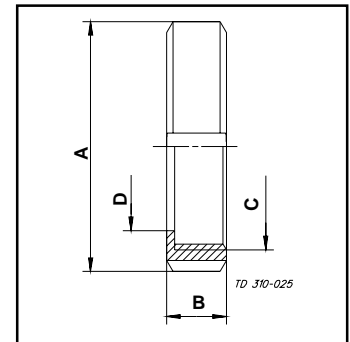
					OD/ID x t	A	B
9612-1513-13	17.79	9612-1514-13	28.98	10	13/10 x 1.5	38	34
9612-1513-14	25.96	9612-1514-14	33.99	15	19/16 x 1.5	44	34
9612-1513-15	23.63	9612-1514-15	37.56	20	23/20 x 1.5	54	36
9612-1513-16	22.95	9612-1514-16	25.76	25	29/26 x 1.5	63	45
9612-1513-17	25.28	9612-1514-17	28.70	32	35/32 x 1.5	70	51
9612-1513-18	27.18	9612-1514-18	31.40	40	41/38 x 1.5	78	53
9612-1513-19	31.94	9612-1514-19	38.08	50	53/50 x 1.5	92	57
9612-1513-20	48.20	9612-1514-20	55.00	65	70/66 x 2.0	112	65
9612-1513-21	75.00	9612-1514-21	85.00	80	85/81 x 2.0	127	75
9612-1513-22	108.00	9612-1514-22	154.00	100	104/100 x 2.0	148	89
9612-1513-23	245.00	9612-1514-23	291.00	125	129/125 x 2.0	178	70
9612-1513-24	514.00	9612-1514-24	604.00	150	154/150 x 2.0	210	76

Union, long



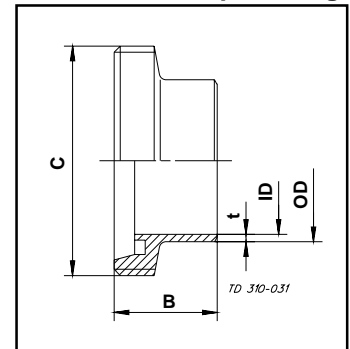
					A	B	C	D
9611-30-642-1	7.25			10	38	18	28x1/8	19
9611-30-643-1	9.40			15	44	18	34x1/8	25
9611-29-002-2	8.86			20	54	20	44x1/6	31
9611-30-709-1	8.59			25	63	21	52x1/6	36
9611-30-710-1	9.13			32	70	21	58x1/6	42
9611-30-711-1	9.66			40	78	21	65x1/6	49
9611-30-712-1	11.41			50	92	22	78x1/6	62
9611-30-713-1	17.72			65	112	25	95x1/6	80
9611-30-714-1	27.79			80	127	29	110x1/4	94
9611-30-715-1	37.05			100	148	31	130x1/4	115
9611-30-645-1	105.00			125	178	34	160x1/4	138
9611-30-646-1	203.00			150	210	40	190x1/4	164

Nut



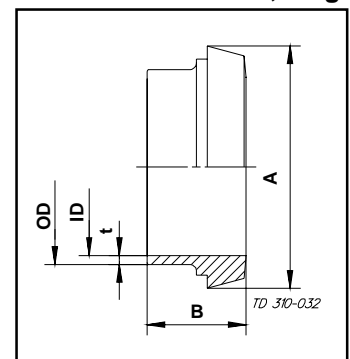
					OD/ID x t	B	C
9611-30-610-2	6.99	9611-30-610-3	13.57	10	13/10 x 1.5	21	28x1/8
9611-30-611-2	11.77	9611-30-611-3	14.72	15	19/16 x 1.5	21	34x1/8
9611-29-008-3	9.17	9611-29-008-4	17.80	20	23/20 x 1.5	24	44x1/6
9611-30-695-2	8.35	9611-30-695-3	10.04	25	29/26 x 1.5	29	52x1/6
9611-30-696-2	9.59	9611-30-696-3	10.96	32	35/32 x 1.5	32	58x1/6
9611-30-697-2	10.13	9611-30-697-3	12.33	40	41/38 x 1.5	33	65x1/6
9611-30-698-2	11.64	9611-30-698-3	15.40	50	53/50 x 1.5	35	78x1/6
9611-30-699-2	17.52	9611-30-699-3	21.22	65	70/66 x 2.0	40	95x1/6
9611-30-700-2	27.24	9611-30-700-3	32.86	80	85/81 x 2.0	45	110x1/4
9611-30-701-2	40.12	9611-30-701-3	62.00	100	104/100 x 2.0	54	130x1/4
9611-30-613-2	76.00	9611-30-613-3	110.00	125	129/125 x 2.0	46	160x1/4
9611-30-614-2	188.00	9611-30-614-3	243.00	150	154/150 x 2.0	50	190x1/4

Male part, long



					OD/ID x t	A	B
9611-30-615-2	3.15	9611-30-615-3	7.76	10	13/10 x 1.5	22	17
9611-30-616-2	4.39	9611-30-616-3	9.47	15	19/16 x 1.5	28	17
9611-29-009-3	5.20	9611-29-009-4	10.50	20	23/20 x 1.5	36	18
9611-30-702-2	5.61	9611-30-702-3	6.73	25	29/26 x 1.5	44	22
9611-30-703-2	6.16	9611-30-703-3	8.21	32	35/32 x 1.5	50	25
9611-30-704-2	6.99	9611-30-704-3	9.01	40	41/38 x 1.5	56	26
9611-30-705-2	8.35	9611-30-705-3	10.73	50	53/50 x 1.5	68	28
9611-30-706-2	12.45	9611-30-706-3	15.74	65	70/66 x 2.0	86	32
9611-30-707-2	19.31	9611-30-707-3	23.16	80	85/81 x 2.0	100	37
9611-30-708-2	30.25	9611-30-708-3	54.00	100	104/100 x 2.0	121	44
9611-30-618-2	62.00	9611-30-618-3	74.00	125	129/125 x 2.0	150	34
9611-30-619-2	121.00	9611-30-619-3	156.00	150	154/150 x 2.0	176	37

Liner, long



DIN Union Parts

Alfa Laval

Parts for DIN Tubes

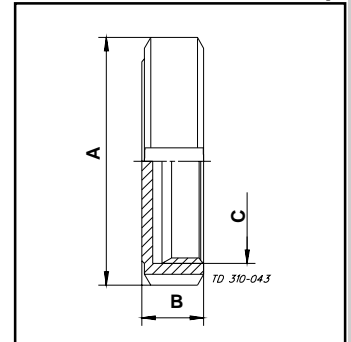
Finish: Semi bright

Thread: Round type

Semi bright

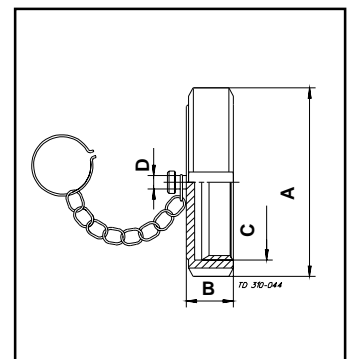
AISI 304 Code No.	Price EURO	AISI 316L Code No.	Price EURO	Nominal size DIN	Dimensions (mm)
					A B C
9611-29-127-1	24.78			10	38 18 28x1/8
9611-29-128-1	17.75			15	44 18 34x1/8
9611-29-129-1	16.92			20	54 21 44x1/6
9611-29-130-1	13.69			25	63 21 52x1/6
9611-29-131-1	22.83			32	70 21 58x1/6
9611-29-132-1	14.36			40	78 21 65x1/6
9611-29-133-1	17.32			50	92 22 78x1/6
9611-29-134-1	23.76			65	112 25 95x1/6
9611-29-135-1	36.51			80	127 29 110x1/4
9611-29-137-1	59.00			100	148 31 130x1/4
9611-29-138-1	180.00			125	178 34 160x1/4
9611-29-139-1	619.00			150	210 40 190x1/4

End cap



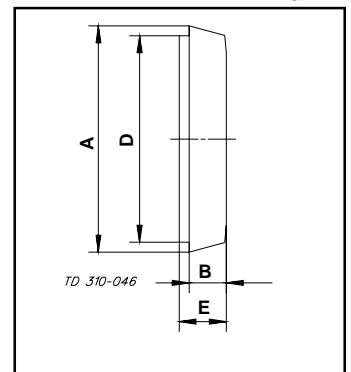
AISI 304 Code No.	Price EURO	AISI 316L Code No.	Price EURO	Nominal size DIN	Dimensions (mm)
					A B C D
9611-29-141-1	22.68			10	38 18 28x1/8 8
9611-29-142-1	33.02			15	44 18 34x1/8 8
9611-29-143-1	41.87			20	54 21 44x1/6 8
9611-29-144-1	18.52			25	63 21 52x1/6 8
9611-29-145-1	19.33			32	70 21 58x1/6 8
9611-29-146-1	19.46			40	78 21 65x1/6 8
9611-29-147-1	23.22			50	92 22 78x1/6 8
9611-29-148-1	29.93			65	112 25 95x1/6 8
9611-29-149-1	43.62			80	127 29 110x1/4 8
9611-29-151-1	61.00			100	148 31 130x1/4 8
9611-29-152-1	138.00			125	178 34 160x1/4 8
9611-29-153-1	433.00			150	210 40 190x1/4 8

End cap with chain and NBR seal disc



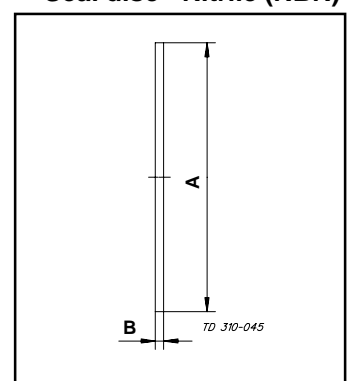
AISI 304 Code No.	Price EURO	AISI 316L Code No.	Price EURO	Nominal size DIN	Dimensions (mm)
					A B D E
9611-30-647-0	12.91	9612-1524-13	16.06	10	22.5 6 18 9
9611-30-648-0	13.37	9612-1524-14	18.67	15	28.5 6 24 9
9611-29-111-1	19.37	9612-1524-15	24.95	20	36.5 8 30 11
31318-0035-1	7.38	9612-1524-16	9.66	25	44.0 10 35 13
31318-0035-2	13.04	9612-1524-17	28.09	32	50.0 10 41 13
31318-0035-3	11.28	9612-1524-18	15.36	40	56.0 10 48 13
31318-0035-4	14.09	9612-1524-19	18.39	50	68.5 11 61 14
31318-0035-5	20.94	9612-1524-20	31.34	65	86.0 12 79 16
9611-30-649-0	52.00	9612-1524-21	71.00	75	93.7 12 86 16
31318-0035-6	29.98	9612-1524-22	53.00	80	100.0 12 93 16
31318-0035-8	47.78	9612-1524-23	73.00	100	121.0 15 114 20
9611-30-650-0	106.00	9612-1524-24	211.00	125	150.0 17 137 22
9611-30-651-0	219.00	9612-1524-25	326.00	150	176.0 18 163 24

Blank



Seal disc - Nitrile (NBR)

AISI 304 Code No.	Price EURO	AISI 316L Code No.	Price EURO	Nominal size DIN	Dimensions (mm)
					A B
9611-29-113-1	1.01			10	28 3
9611-29-114-1	0.81			15	34 3
9611-29-115-1	0.97			20	44 3
9611-29-116-1	0.81			25	52 3
9611-29-117-1	0.81			32	58 3
9611-29-118-1	0.71			40	65 3
9611-29-119-1	0.67			50	78 3
9611-29-120-1	0.94			65	95 3
9611-29-122-1	2.68			80	110 3
9611-29-124-1	4.73			100	130 3
9611-29-125-1	9.43			125	160 3
9611-29-126-1	10.63			150	190 3



NOTE! Seal rings - please see page 27.

DIN Union Parts

Alfa Laval

Parts for DIN Tubes

Finish: Mat

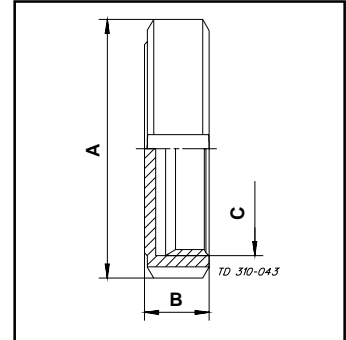
Thread: Round type 

Mat

DIN Unions

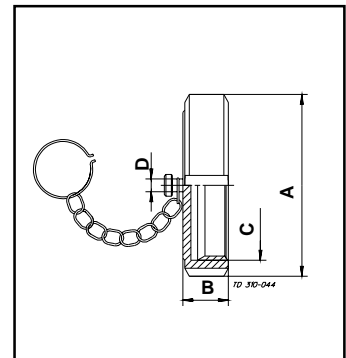
AISI 304 Code No.	Price EURO	AISI 316L Code No.	Price EURO	Nominal size DIN	Dimensions (mm)
					A B C
9611-29-127-3	22.69			10	38 18 28x1/8
9611-29-128-3	21.98			15	44 18 34x1/8
9611-29-129-3	20.94			20	54 21 44x1/6
9611-29-130-3	24.65			25	63 21 52x1/6
9611-29-131-3	26.09			32	70 21 58x1/6
9611-29-132-3	28.09			40	78 21 65x1/6
9611-29-133-3	33.85			50	92 22 78x1/6
9611-29-134-3	46.41			65	112 25 95x1/6
9611-29-135-3	72.00			80	127 29 110x1/4
9611-29-137-3	103.00			100	148 31 130x1/4
9611-29-138-3	120.00			125	178 34 160x1/4
9611-29-139-3	380.00			150	210 40 190x1/4

End cap



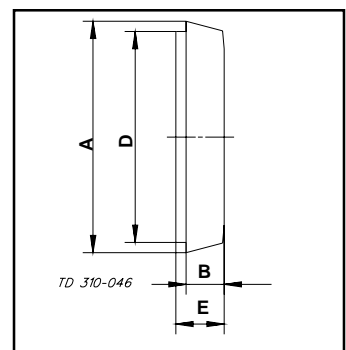
End cap with chain and NBR seal disc

					A	B	C	D
9611-29-141-3	29.48			10	38	18	28x1/8	8
9611-29-142-3	28.61			15	44	18	34x1/8	8
9611-29-143-3	36.13			20	54	21	44x1/6	8
9611-29-144-3	36.13			25	63	21	52x1/6	8
9611-29-145-3	37.69			32	70	21	58x1/6	8
9611-29-146-3	35.11			40	78	21	65x1/6	8
9611-29-147-3	45.37			50	92	22	78x1/6	8
9611-29-148-3	59.00			65	112	25	95x1/6	8
9611-29-149-3	86.00			80	127	29	110x1/4	8
9611-29-151-3	120.00			100	148	31	130x1/4	8
9611-29-152-3	127.00			125	178	34	160x1/4	8
9611-29-153-3	400.00			150	210	40	190x1/4	8




Blank

					A	B	D	E
9611-30-647-1	12.91	9612-1524-26	10.65	10	22.5	6	18	9
9611-30-648-1	14.48	9612-1524-27	12.39	15	28.5	6	24	9
9611-29-111-3	12.91	9612-1524-28	16.58	20	36.5	8	30	11
9611-30-716-1	13.93	9612-1524-29	12.56	25	44.0	10	35	13
9611-30-717-1	21.29	9612-1524-30	18.67	32	50.0	10	41	13
9611-30-718-1	21.98	9612-1524-31	28.61	40	56.0	10	48	13
9611-30-719-1	25.45	9612-1524-32	23.91	50	68.5	11	61	14
9611-30-720-1	37.69	9612-1524-33	35.43	65	86.0	12	79	16
9611-30-649-1	55.00	9612-1524-34	48.69	75	93.7	12	86	16
9611-30-721-1	54.00	9612-1524-35	45.89	80	100.0	12	93	16
9611-30-722-1	89.00	9612-1524-36	118.00	100	121.0	15	114	20
9611-30-650-1	157.00	9612-1524-37	140.00	125	150.0	17	137	22
9611-30-651-1	219.00	9612-1524-38	216.00	150	176.0	18	163	24



NOTE! Seal rings - please see page 27.

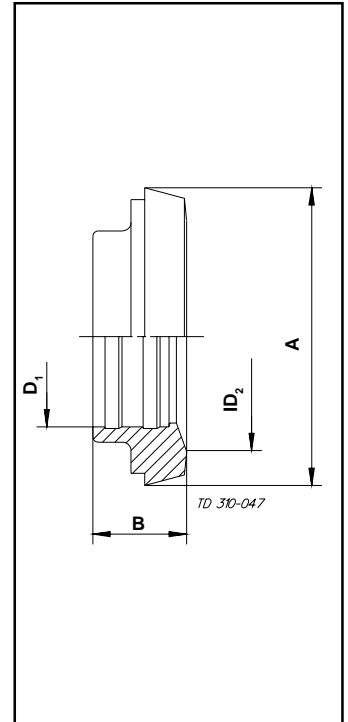
Parts for DIN Tubes

Finish: Semi bright
 Connections: Expanding ends
 Seals: Nitrile
 Thread: Round type 

Semi bright

AISI 304 Code No.	Price EURO	AISI 316L Code No.	Price EURO	Nominal size DIN	Dimensions (mm)				
					A	B	D ₁	ID ₂	
9611-29-094-1	19.54	9612-1525-01	20.94	25/15	44	22	18.2	26	
9611-29-095-1	31.93	9612-1525-02	30.20	32/15	50	23	18.2	32	
9611-29-096-1	31.93	9612-1525-03	30.20	32/20	50	23	22.2	32	
9611-30-737-0	27.57	9612-1525-04	22.01	32/25	50	20	28.2	32	
9611-29-097-1	63.00	9612-1525-05	53.00	40/15	56	25	18.2	38	
9611-29-098-1	42.28	9612-1525-06	53.00	40/20	56	25	22.2	38	
9611-30-737-1	23.22	9612-1525-07	40.13	40/25	56	20	28.2	38	
9611-30-737-2	30.19	9612-1525-08	26.00	40/32	56	23	34.2	38	
9611-29-099-1	48.16	9612-1525-09	54.00	50/25	68	28	28.2	50	
9611-29-100-1	42.93	9612-1525-10	36.11	50/32	68	23	34.2	50	
9611-30-737-3	17.45	9612-1525-11	35.00	50/40	68	26	40.2	50	
9611-29-101-1	84.00	9612-1525-12	70.00	65/25	86	32	28.2	66	
9611-29-102-1	56.00	9612-1525-13	70.00	65/32	86	32	34.2	66	
9611-29-103-1	40.94	9612-1525-14	35.57	65/40	86	26	40.2	66	
9611-30-737-4	22.28	9612-1525-15	27.79	65/50	86	27	52.2	66	
9611-29-105-1	71.00	9612-1525-16	92.00	80/40	100	36	40.2	81	
9611-30-737-5	82.00	9612-1525-17	107.00	80/50	100	30	52.2	81	
9611-30-737-6	73.00	9612-1525-18	85.00	80/65	100	31	70.3	81	
9611-29-107-1	71.00	9612-1525-19	152.00	100/50	121	40	52.2	100	
9611-29-108-1	172.00	9612-1525-20	121.00	100/65	121	40	70.3	100	
9611-30-737-7	146.00	9612-1525-21	207.00	100/80	121	42	85.3	100	

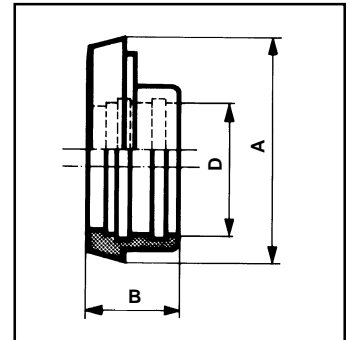
Reducing liner (concentric)



DIN Unions

					A	B	D		
9611-30-938-0	51.00	9611-29-404-2		32/25	50	22	28.2		
9611-30-938-1	57.00	9611-29-405-2		40/25	56	22	28.2		
9611-30-938-3	60.00	9611-29-407-2		50/40	68	26	40.2		
9611-30-938-4	108.00	9611-29-408-2		65/40	86	26	40.2		
9611-30-938-5	108.00	9611-29-409-2		65/50	86	28	52.2		
9611-30-938-6	143.00	9611-29-410-2		80/50	100	32	52.2		
9611-30-938-7	145.00	9611-29-411-2		80/65	100	32	70.3		
9611-30-938-8	185.00	9611-29-412-2		100/65	121	32	70.3		
9611-30-938-9	185.00	9611-29-413-2		100/80	121	32	85.3		

Reducing liner (excentric)



NOTE! Seal rings - please see page 27.

Parts for DIN Tubes

Finish: Mat

Connections: Expanding ends

Seals: Nitrile

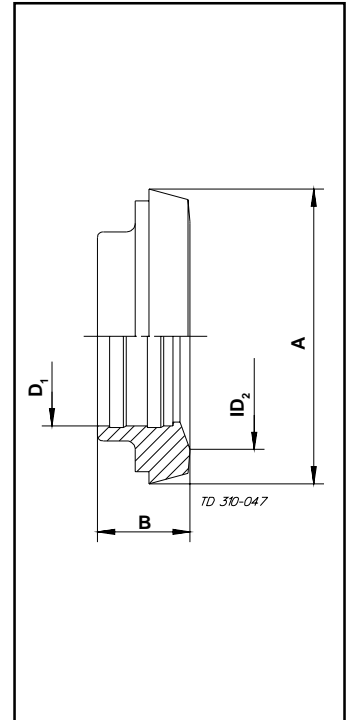
Thread: Round type 

Mat

DIN Unions

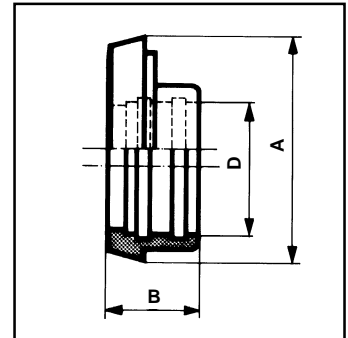
AISI 304 Code No.	Price EURO	AISI 316L Code No.	Price EURO	Nominal size DIN	Dimensions (mm)				
					A	B	D ₁	ID ₂	
9611-29-094-3	15.03	9612-1525-22	20.94	25/15	44	22	18.2	26	
9611-29-095-3	24.56	9612-1525-23	30.20	32/15	50	23	18.2	32	
9611-29-096-3	24.56	9612-1525-24	30.20	32/20	50	23	22.2	32	
9611-29-403-1	14.09	9612-1525-25	22.01	32/25	50	20	28.2	32	
9611-29-097-3	40.94	9612-1525-26	53.00	40/15	56	25	18.2	38	
9611-29-098-3	42.28	9612-1525-27	53.00	40/20	56	25	22.2	38	
9611-29-403-2	15.44	9612-1525-28	20.54	40/25	56	20	28.2	38	
9611-29-403-3	15.44	9612-1525-29	20.00	40/32	56	23	34.2	38	
9611-29-099-3	26.71	9612-1525-30	36.11	50/25	68	28	28.2	50	
9611-29-100-3	22.01	9612-1525-31	36.11	50/32	68	23	34.2	50	
9611-29-403-4	26.17	9612-1525-32	20.40	50/40	68	26	40.2	50	
9611-29-101-3	56.00	9612-1525-33	70.00	65/25	86	32	28.2	66	
9611-29-102-3	56.00	9612-1525-34	70.00	65/32	86	32	34.2	66	
9611-29-103-3	27.11	9612-1525-35	35.57	65/40	86	26	40.2	66	
9611-29-403-5	22.28	9612-1525-36	27.79	65/50	86	27	52.2	66	
9611-29-105-3	71.00	9612-1525-37	92.00	80/40	100	36	40.2	81	
9611-29-403-6	42.01	9612-1525-38	55.00	80/50	100	30	52.2	81	
9611-29-403-7	37.05	9612-1525-39	43.49	80/65	100	31	70.3	81	
9611-29-107-3	71.00	9612-1525-40	152.00	100/50	121	40	52.2	100	
9611-29-108-3	88.00	9612-1525-41	121.00	100/65	121	40	70.3	100	
9611-29-403-8	77.00	9612-1525-42	106.00	100/80	121	42	85.3	100	

Reducing liner (concentric)



					A	B	D		
9611-29-404-3	34.23	9611-29-404-4	*	32/25	50	22	28.2		
9611-29-405-3	37.85	9611-29-405-4	*	40/25	56	22	28.2		
9611-29-407-3	40.13	9611-29-407-4	*	50/40	68	26	40.2		
9611-29-408-3	72.00	9611-29-408-4	*	65/40	86	26	40.2		
9611-29-409-3	72.00	9611-29-409-4	*	65/50	86	28	52.2		
9611-29-410-3	95.00	9611-29-410-4	*	80/50	100	32	52.2		
9611-29-411-3	96.00	9611-29-411-4	*	80/65	100	32	70.3		
9611-29-412-3	123.00	9611-29-412-4	*	100/65	121	32	70.3		
9611-29-413-3	123.00	9611-29-413-4	*	100/80	121	32	85.3		

Reducing liner (excentric)



* On request.

NOTE! Seal rings - please see page 27.

DIN Union Parts

Alfa Laval

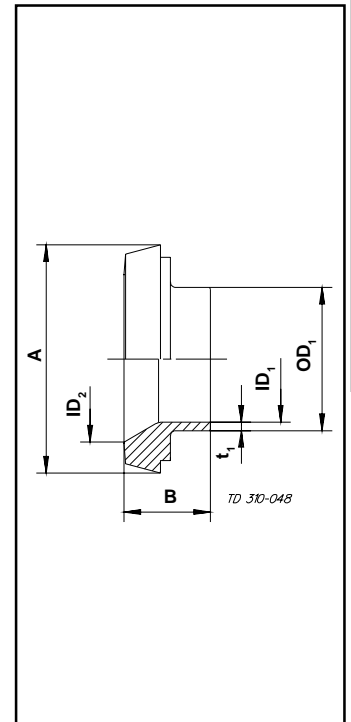
Parts for DIN Tubes

Finish: Semi bright
 Connections: Welding ends
 Seals: Nitrile
 Thread: Round type 

Semi bright

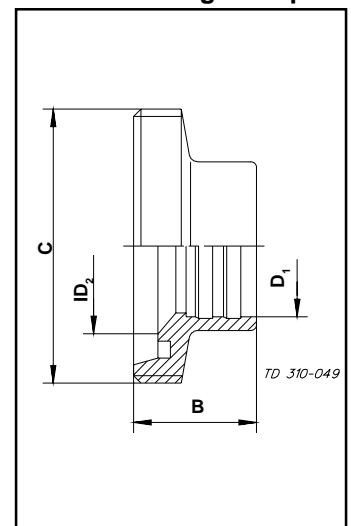
AISI 304 Code No.	Price EURO	AISI 316L Code No.	Price EURO	Nominal size DIN	Dimensions (mm)			
					OD ₁ /ID ₁ x t ₁	A	B	ID ₂
9611-29-049-1	29.32	9611-29-049-2	40.83	25/15	19/16 x 1.5	44	22	26
9611-29-050-1	36.91	9611-29-050-2	54.00	32/15	19/16 x 1.5	50	23	32
9611-29-051-1	36.91	9611-29-051-2	54.00	32/20	23/20 x 1.5	50	23	32
9611-29-052-1	25.45	9611-29-052-2	42.93	32/25	29/26 x 1.5	50	20	32
9611-29-053-1	82.00	9611-29-053-2	53.00	40/15	19/16 x 1.5	56	25	38
9611-29-054-1	82.00	9611-29-054-2	53.00	40/20	23/20 x 1.5	56	25	38
9611-29-055-1	30.19	9611-29-055-2	40.13	40/25	29/26 x 1.5	56	20	38
9611-29-056-1	20.07	9611-29-056-2	30.07	40/32	35/32 x 1.5	56	23	38
9611-29-057-1	53.00	9611-29-057-2	71.00	50/25	29/26 x 1.5	68	28	50
9611-29-058-1	33.02	9611-29-058-2	71.00	50/32	35/32 x 1.5	68	23	50
9611-29-059-1	30.10	9611-29-059-2	39.78	50/40	41/38 x 1.5	68	26	50
9611-29-060-1	84.00	9611-29-060-2	137.00	65/25	29/26 x 1.5	86	32	66
9611-29-061-1	56.00	9611-29-061-2	137.00	65/32	35/32 x 1.5	86	32	66
9611-29-062-1	53.00	9611-29-062-2	69.00	65/40	41/38 x 1.5	86	26	66
9611-29-063-1	40.10	9611-29-063-2	55.00	65/50	53/50 x 1.5	86	27	66
9611-29-065-1	138.00	9611-29-065-2	138.00	80/40	41/38 x 1.5	100	36	81
9611-29-066-1	82.00	9611-29-066-2	107.00	80/50	53/50 x 1.5	100	30	81
9611-29-067-1	73.00	9611-29-067-2	85.00	80/65	70/66 x 2.0	100	31	81
9611-29-069-1	138.00	9611-29-069-2	152.00	100/50	53/50 x 1.5	121	40	100
9611-29-070-1	172.00	9611-29-070-2	182.00	100/65	70/66 x 2.0	121	40	100
9611-29-071-1	128.00	9611-29-071-2	138.00	100/80	85/81 x 2.0	121	42	100

Reducing liner



						B	C	D ₁	ID ₂
9611-30-736-0	29.96	9611-29-506-1	41.70	32/25		27	58x1/6	28.2	32
9611-30-736-1	34.63	9611-29-507-1	48.69	40/25		28	65x1/6	28.2	38
9611-30-736-2	38.22	9611-29-508-1	32.80	40/32		29	65x1/6	34.2	38
9611-29-087-1	60.00	9611-29-087-2	40.00	50/25		26	78x1/6	28.2	50
9611-29-088-1	31.41	9611-29-088-2	27.65	50/32		29	78x1/6	34.2	50
9611-30-736-3	33.40	9611-29-509-1	53.00	50/40		35	78x1/6	40.2	50
9611-29-089-1	80.00	9611-29-089-2	103.00	65/32		39	95x1/6	34.2	66
9611-29-090-1	106.00	9611-29-090-2	70.00	65/40		39	95x1/6	40.2	66
9611-30-736-4	62.00	9611-29-510-1	79.00	65/50		40	95x1/6	52.2	66
9611-29-091-1	110.00	9611-29-091-2	145.00	80/40		43	110x1/4	40.2	81
9611-30-736-5	194.00	9611-29-511-1	127.00	80/50		45	110x1/4	52.2	81
9611-30-736-6	138.00	9611-29-512-1	91.00	80/65		46	110x1/4	70.3	81
9611-29-092-1	157.00	9611-29-092-2	204.00	100/50		49	130x1/4	52.2	100
9611-29-093-1	145.00	9611-29-093-2	187.00	100/65		49	130x1/4	70.3	100
9611-30-736-7	287.00	9611-29-513-1	249.00	100/80		49	130x1/4	85.3	100

Reducing male part



NOTE! Seal rings - please see page 27.

DIN Unions

Parts for DIN Tubes

Finish: Mat

Connections: Welding ends

Seals: Nitrile

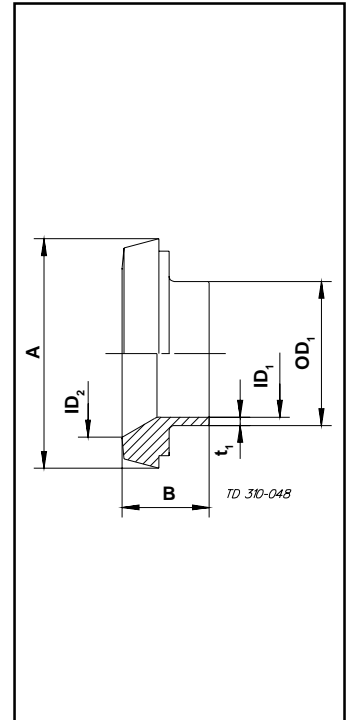
Thread: Round type 

Mat

DIN Unions

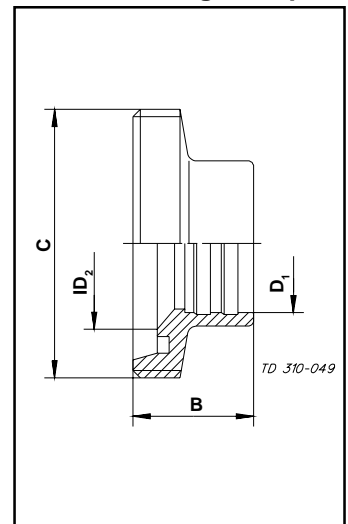
AISI 304 Code No.	Price EURO	AISI 316L Code No.	Price EURO	Nominal size DIN	Dimensions (mm)			
					OD ₁ / ID ₁ x t ₁	A	B	ID ₂
9611-29-049-3	15.03	9611-29-049-4	20.94	25/15	19/16 x 1.5	44	22	26
9611-29-050-3	24.56	9611-29-050-4	30.20	32/15	19/16 x 1.5	50	23	32
9611-29-051-3	24.56	9611-29-051-4	30.20	32/20	23/20 x 1.5	50	23	32
9611-29-052-3	21.05	9611-29-052-4	22.01	32/25	29/26 x 1.5	50	20	32
9611-29-053-3	42.28	9611-29-053-4	53.00	40/15	19/16 x 1.5	56	25	38
9611-29-054-3	42.28	9611-29-054-4	53.00	40/20	23/20 x 1.5	56	25	38
9611-29-055-3	23.39	9611-29-055-4	20.54	40/25	29/26 x 1.5	56	20	38
9611-29-056-3	15.44	9611-29-056-4	20.00	40/32	35/32 x 1.5	56	23	38
9611-29-057-3	40.13	9611-29-057-4	36.11	50/25	29/26 x 1.5	68	28	50
9611-29-058-3	22.01	9611-29-058-4	36.11	50/32	35/32 x 1.5	68	23	50
9611-29-059-3	26.17	9611-29-059-4	20.40	50/40	41/38 x 1.5	68	26	50
9611-29-060-3	56.00	9611-29-060-4	70.00	65/25	29/26 x 1.5	86	32	66
9611-29-061-3	56.00	9611-29-061-4	70.00	65/32	35/32 x 1.5	86	32	66
9611-29-062-3	35.24	9611-29-062-4	35.57	65/40	41/38 x 1.5	86	26	66
9611-29-063-3	32.39	9611-29-063-4	27.79	65/50	53/50 x 1.5	86	27	66
9611-29-065-3	71.00	9611-29-065-4	92.00	80/40	41/38 x 1.5	100	36	81
9611-29-066-3	82.00	9611-29-066-4	55.00	80/50	53/50 x 1.5	100	30	81
9611-29-067-3	56.00	9611-29-067-4	43.49	80/65	70/66 x 2.0	100	31	81
9611-29-069-3	71.00	9611-29-069-4	152.00	100/50	53/50 x 1.5	121	40	100
9611-29-070-3	88.00	9611-29-070-4	121.00	100/65	70/66 x 2.0	121	40	100
9611-29-071-3	77.00	9611-29-071-4	106.00	100/80	85/81 x 2.0	121	42	100

Reducing liner



						B	C	D ₁	ID ₂
9611-29-402-1	16.64	9611-29-506-2	21.34	32/25		27	58x1/6	32	28.2
9611-29-402-2	19.19	9611-29-507-2	48.30	40/25		28	65x1/6	38	28.2
9611-29-402-3	19.60	9611-29-508-2	25.23	40/32		29	65x1/6	38	34.2
9611-29-087-3	30.34	9611-29-087-4	40.00	50/25		26	78x1/6	50	28.2
9611-29-088-3	20.94	9611-29-088-4	27.65	50/32		29	78x1/6	50	34.2
9611-29-402-4	38.17	9611-29-509-2	27.11	50/40		35	78x1/6	50	40.2
9611-29-089-3	80.00	9611-29-089-4	103.00	65/32		39	95x1/6	66	34.2
9611-29-090-3	54.00	9611-29-090-4	70.00	65/40		39	95x1/6	66	40.2
9611-29-402-5	31.68	9611-29-510-2	40.81	65/50		40	95x1/6	66	52.2
9611-29-091-3	110.00	9611-29-091-4	145.00	80/40		43	110x1/4	81	40.2
9611-29-402-6	99.00	9611-29-511-2	127.00	80/50		45	110x1/4	81	52.2
9611-29-402-7	70.00	9611-29-512-2	91.00	80/65		46	110x1/4	81	70.3
9611-29-092-3	157.00	9611-29-092-4	204.00	100/50		49	130x1/4	100	52.2
9611-29-093-3	145.00	9611-29-093-4	187.00	100/65		49	130x1/4	100	70.3
9611-29-402-8	147.00	9611-29-513-2	191.00	100/80		49	130x1/4	100	85.3

Reducing male part




NOTE! Seal rings - please see page 27.

DIN Union Parts

Alfa Laval

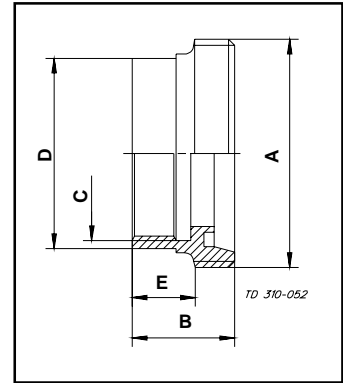
Parts for DIN Tubes

Finish: Semi bright
 Connections: BSP and Hose
 Seals: Nitrile
 Thread: Round type 

Semi bright

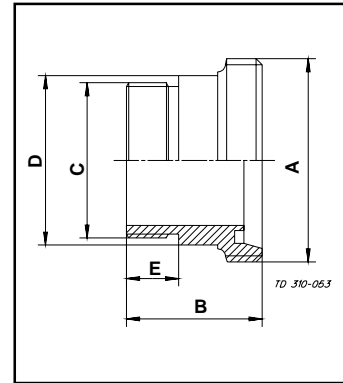
AISI 304 Code No.	Price EURO	AISI 316L Code No.	Price EURO	Nominal size DIN	Dimensions (mm)				
					A	B	C	D	E
9611-30-519-0	45.54	9612-1520-13	*	10	28x1/8	30	(BSP) 3/8"	19	12
9611-30-520-0	35.03	9612-1520-14	42.28	15	34x1/8	30	1/2"	24	12
9612-1520-37	45.54	9612-1520-15	49.21	20	44x1/6	30	3/4"	30	12
9611-30-521-0	45.54	9612-1520-16	47.38	25	52x1/6	35	1"	41	15
9611-30-522-0	27.25	9612-1520-17	77.00	32	58x1/6	35	1 1/4"	46	15
9611-30-523-0	45.03	9612-1520-18	77.00	40	65x1/6	35	1 1/2"	50	15
9611-30-524-0	31.01	9612-1520-19	68.00	50	78x1/6	35	2"	65	16
9611-30-525-0	100.00	9612-1520-20	114.00	65	95x1/6	38	2 1/2"	80	16
9611-30-527-0	272.00	9612-1520-21	328.00	80	110x1/4	43	3"	95	20
9611-30-528-0	273.00	9612-1520-22	*	100	130x1/4	50	4"	117	20

Adapter, male to BSP female



					A	B	C	D	E
9611-30-531-0	29.67	9612-1521-13	26.71	10	28x1/8	40	(BSP) 3/8"	19	14
9611-30-532-0	31.93	9612-1521-14	54.00	15	34x1/8	40	1/2"	24	14
9612-1521-37	31.81	9612-1521-15	45.72	20	44x1/6	42	3/4"	30	14
9611-30-533-0	29.80	9612-1521-16	81.00	25	52x1/6	48	1"	41	20
9611-30-534-0	42.57	9612-1521-17	85.00	32	58x1/6	48	1 1/4"	46	20
9611-30-535-0	34.27	9612-1521-18	88.00	40	65x1/6	50	1 1/2"	50	20
9611-30-536-0	44.00	9612-1521-19	83.00	50	78x1/6	52	2"	65	20
9611-30-537-0	111.00	9612-1521-20	148.00	65	95x1/6	56	2 1/2"	80	22
9611-30-539-0	172.00	9612-1521-21	*	80	110x1/4	66	3"	95	25
9611-30-540-0	345.00	9612-1521-22	*	100	130x1/4	72	4"	117	30

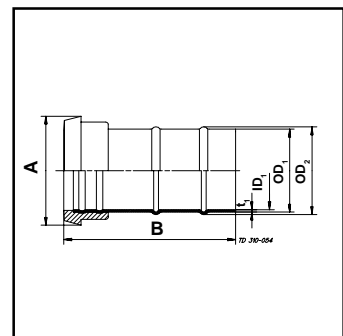
Adapter, male to BSP male



* On request.

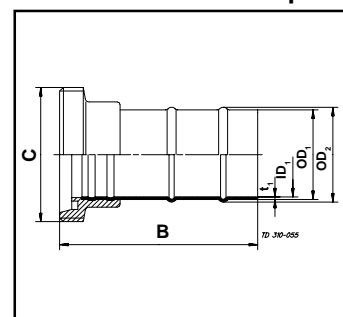
					OD ₁ / ID ₁ x t ₁	A	B	OD ₂
		9611-30-545-0	28.79	25	28/26 x 1	44	75	29.5
		9611-30-546-0	32.42	32	34/32 x 1	50	85	36
		9611-30-547-0	19.60	40	40/38 x 1	56	95	42
		9611-30-548-0	21.74	50	52/50 x 1	68	106	54
		9611-30-549-0	54.00	65	70/66 x 2	86	117	72

Hose liner



					OD ₁ / ID ₁ x t ₁	B	C	OD ₂
		9611-30-557-0	41.35	25	28/26 x 1	94	52x1/6	31
		9611-30-558-0	41.35	32	34/32 x 1	102	58x1/6	37
		9611-30-559-0	40.10	40	40/38 x 1	108	65x1/6	43
		9611-30-560-0	45.42	50	52/50 x 1	115	78x1/6	55
		9611-30-561-0	76.00	65	70/66 x 2	154	95x1/6	73

Hose male part



NOTE! Seal rings - please see page 27.

DIN Unions

DIN Union Parts

Alfa Laval

Parts for DIN Tubes

Finish: Mat

Connections: BSP and Hose

Seals: Nitrile

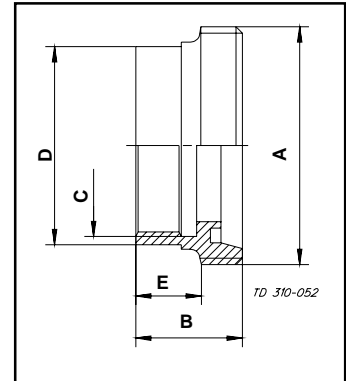
Thread: Round type 

Mat

DIN Unions

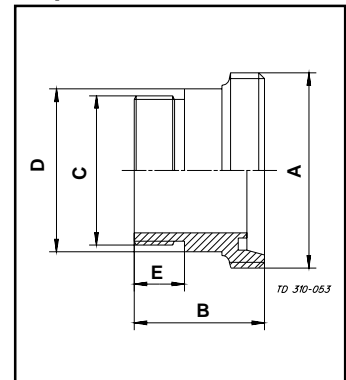
AISI 304 Code No.	Price EURO	AISI 316L Code No.	Price EURO	Nominal size DIN	Dimensions (mm)	A	B	C	D	E
								(BSP)		
9612-1520-01	23.36	9612-1520-25	*	10		28x1/8	30	3/8"	19	12
9612-1520-02	23.36	9612-1520-26	42.28	15		34x1/8	30	1/2"	24	12
9612-1520-03	23.36	9612-1520-27	37.85	20		44x1/6	30	3/4"	30	12
9612-1520-04	23.36	9612-1520-28	31.54	25		52x1/6	35	1"	41	15
9612-1520-05	27.25	9612-1520-29	39.06	32		58x1/6	35	1 1/4"	46	15
9612-1520-06	27.25	9612-1520-30	39.33	40		65x1/6	35	1 1/2"	50	15
9612-1520-07	31.01	9612-1520-31	45.10	50		78x1/6	35	2"	65	16
9612-1520-08	52.00	9612-1520-32	76.00	65		95x1/6	38	2 1/2"	80	16
9612-1520-09	140.00	9612-1520-33	*	80		110x1/4	43	3"	95	20
9612-1520-10	182.00	9612-1520-34	*	100		130x1/4	50	4"	117	20

Adapter, male to BSP female



Adapter, male to BSP male

AISI 304 Code No.	Price EURO	AISI 316L Code No.	Price EURO	Nominal size DIN	Dimensions (mm)	A	B	C	D	E
								(BSP)		
9612-1521-01	15.17	9612-1521-25	26.71	10		28x1/8	40	3/8"	19	14
9612-1521-02	21.29	9612-1521-26	27.38	15		34x1/8	40	1/2"	24	14
9612-1521-03	37.32	9612-1521-27	35.17	20		44x1/6	42	3/4"	30	14
9612-1521-04	48.52	9612-1521-28	41.34	25		52x1/6	48	1"	41	20
9612-1521-05	53.00	9612-1521-29	43.49	32		58x1/6	48	1 1/4"	46	20
9612-1521-06	59.00	9612-1521-30	45.23	40		65x1/6	50	1 1/2"	50	20
9612-1521-07	68.00	9612-1521-31	56.00	50		78x1/6	52	2"	65	20
9612-1521-08	111.00	9612-1521-32	148.00	65		95x1/6	56	2 1/2"	80	22
9612-1521-09	172.00	9612-1521-33	*	80		110x1/4	66	3"	95	25
9612-1521-10	177.00	9612-1521-34	*	100		130x1/4	72	4"	117	30



* On request.

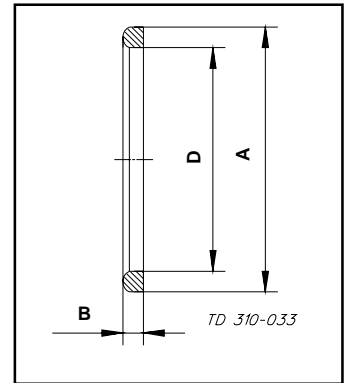
NOTE! Seal rings - please see page 27.

Parts for DIN Tubes

Seal Rings

Code No.	Price EURO	Nominal size DIN	Dimensions (mm)
			A B D
527346-01	0.40	10	20 4.5 12
527346-02	0.40	15	26 4.5 18
527346-03	0.40	20	33 4.5 23
527346-04	0.40	25	40 5.0 30
527346-05	0.40	32	46 5.0 36
527346-06	0.40	40	52 5.0 42
527346-07	0.54	50	64 5.0 54
527346-08	0.54	65	81 5.0 71
9611-99-1264	1.07	75	88 5.0 78
527346-09	1.07	80	95 5.0 85
527346-11	1.07	100	114 6.0 104
9611-99-1265	2.42	125	142 7.0 130
9611-99-1266	2.42	150	167 7.0 155

Seal ring Nitrile rubber (NBR)



DIN Unions

Code No.	Price EURO	Nominal size DIN	Dimensions (mm)
			A B D
9611-99-1267	0.40	10	20 4.5 12
9611-99-1268	0.40	15	26 4.5 18
9611-99-1323	0.40	20	33 4.5 23
9611-99-1269	0.40	25	40 5.0 30
9611-99-1270	0.40	32	46 5.0 36
9611-99-1271	0.40	40	52 5.0 42
9611-99-1272	0.94	50	64 5.0 54
9611-99-1273	0.94	65	81 5.0 71
9611-99-1274	1.34	75	88 5.0 78
9611-99-1275	1.34	80	95 5.0 85
9611-99-1276	1.34	100	114 6.0 104
9611-99-1277	2.95	125	142 7.0 130
9611-99-1278	2.95	150	167 7.0 155

Seal ring Ethylene propylene rubber (EPDM)

